

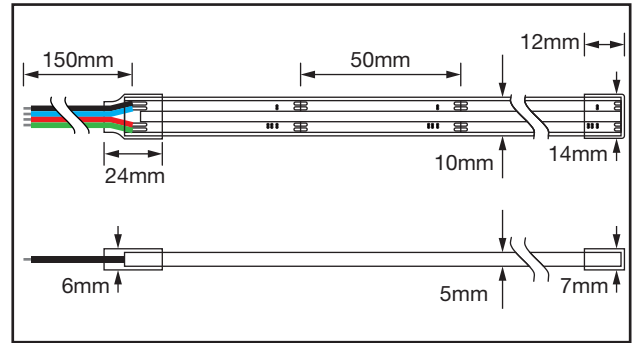
## AST005IP/COB/RGB

5W/m 24V IP67 RGB COB LED Strip,  
840 LEDs/m

SEAMLESS RGB

### PRODUCT FEATURES

- Continuous And Even Light Effect
- Max Length Powered Single End 10m and 20m Double Ended
- 50mm Cut Points - 840 LEDs/m
- Customised Bespoke Service Only



### TECHNICAL SPECIFICATIONS

Product Code	AST005IP/COB/RGB
Useful Luminous Flux (LM)	RED: ≤37lm / BLUE: ≤21lm / GREEN: ≤129lm / RGB ≤190lm
CCT (Kelvin)	RGB
Beam Angle (°)	120°
SDCM	<6
CRI	>80
Peak Intensity (cd)	RED: 10cd / BLUE: 6cd / GREEN: 32cd / RGB: 47cd
Operating Voltage (V)	24V DC
Max Output Power (W)	5W/m
Operating Current (A Max)	0.208A
Class	III
Cut Points	50mm
LED/M	840 LEDs/m
Reel Length	30m
Switching Cycles	>15,000
Ingress Protection	IP67
Ambient Operating Temperature (°C)	-20°C~+40°C
Guarantee	3 Years
Lifetime (L70 B50)	30,000 Hrs

